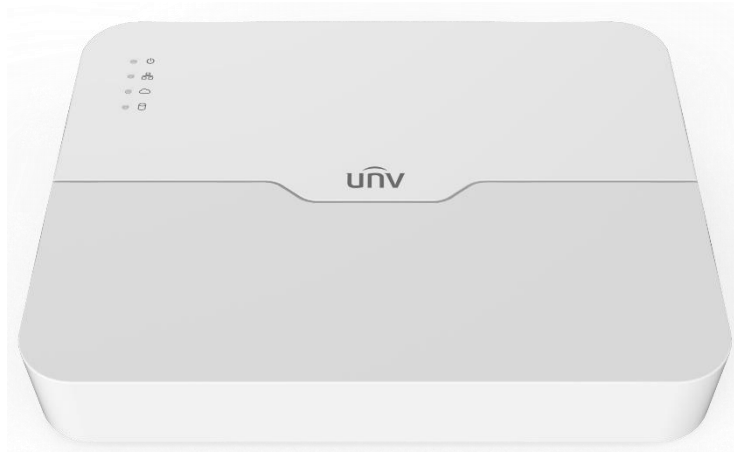


# NVR301-LS3-P8



## Key Features

- Support Ultra 265/H.265/H.264 video formats
- 8/16-channel input
- Plug & Play with 8 independent PoE network interfaces
- Support mainstream cameras of ONVIF conformance(Profile S, Profile G, Profile T ) and RTSP protocols
- Support 1-ch HDMI, 1-ch VGA, HDMI at up to 4K(3840x2160) resolution
- HDMI and VGA simultaneous output
- Up to 4K resolution recording
- 1 SATA HDD up to 6TB
- Support cloud upgrade

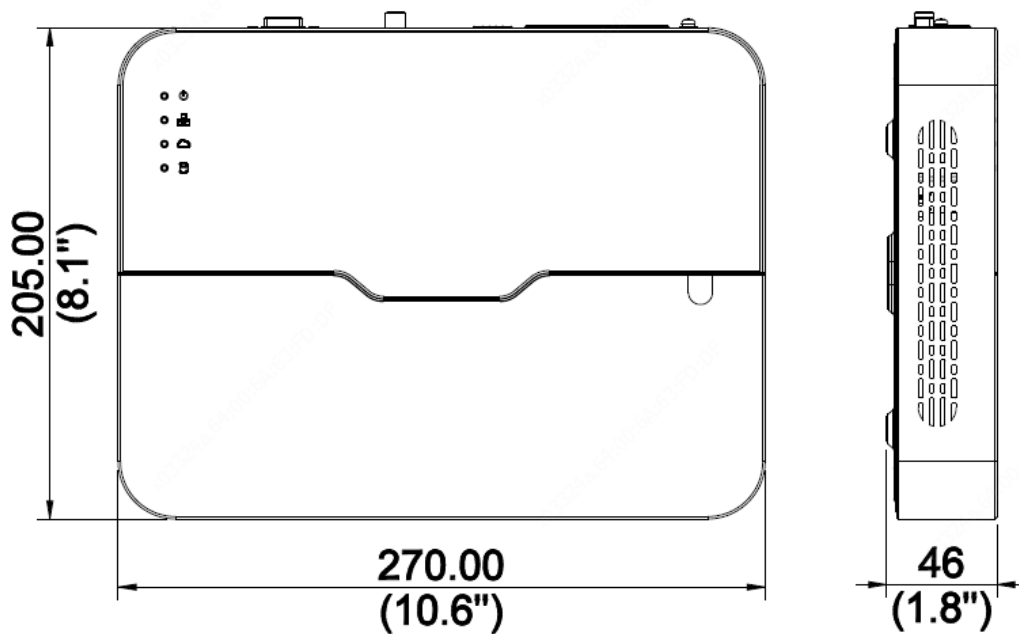
## Specifications

Model	NVR301-08LS3-P8	NVR301-16LS3-P8
<b>Video/Audio Input</b>		
IP Video Input	8-ch	16-ch
<b>Network</b>		
Incoming Bandwidth	64Mbps	
Outgoing Bandwidth	48Mbps	
Remote Users	128	
Protocols	TCP/IP, P2P, UPnP, NTP, DHCP, PPPoE, HTTP, HTTPS, DNS, DDNS, SMTP	
<b>Video/Audio Output</b>		
HDMI/VGA Output	HDMI: 4K(3840x2160)/30Hz, 1920x1080/60Hz, 1920x1080/50Hz, 1600x1200/60Hz, 1280x1024/60Hz, 1280x720/60Hz,	

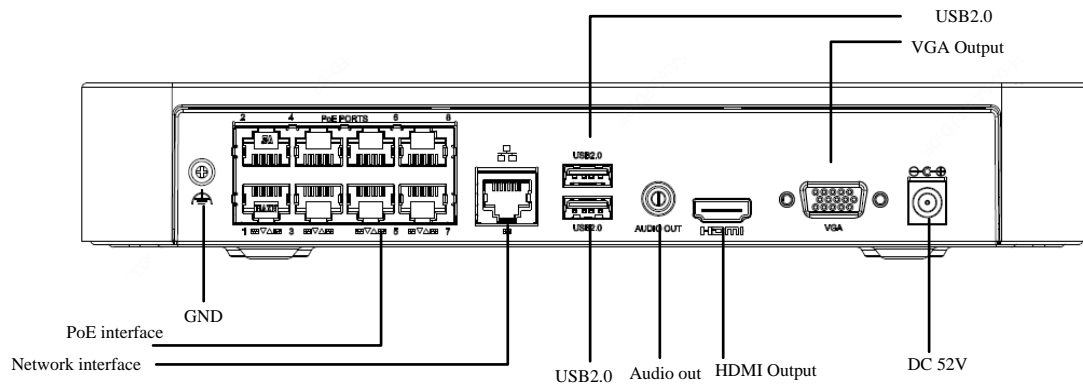
	1024x768/60Hz VGA: 1920x1080/60Hz, 1920x1080/50Hz, 1600x1200/60Hz, 1280x1024/60Hz, 1280x720/60Hz, 1024x768/60Hz	
Recording Resolution	4K/5MP/4MP/3MP/1080p/960p/720p/D1/2CIF/CIF	
Audio Output	1-ch, RCA	
Audio Compression	G.711A, G.711U	
Synchronous Playback	8-ch	16-ch
Liveview display	1/4/6/8/9	1/4/6/8/9/16
Corridor Mode Screen	3/4/5/7/9	3/4/5/7/9/10/12/16
<b>Snapshot</b>		
FTP/Schedule/Event Snapshot	1-ch snapshot, up to D1 resolution	
<b>Decoding</b>		
Decoding format	Ultra 265/H.265/H.264	
Liveview/Playback	4K/5MP/4MP/3MP/1080p/960p/720p/D1/2CIF/CIF	
Capability	1 x 4K@30, 4 x 5MP@25, 4 x 4MP@25, 4 x 3MP@25, 4 x 1080p@30, 8 x 720p@30	1 x 4K@30, 4 x 5MP@25, 4 x 4MP@25, 4 x 3MP@25, 4 x 1080p@30, 8 x 720p@30, 16 x D1@25
<b>Hard Disk</b>		
SATA	1 SATA interface	
Capacity	up to 6TB for each disk	
<b>Smart</b>		
VCA Detection by Camera	Intrusion Detection, Cross Line Detection, Enter Area, Leave Area, Audio Detection	
VCA Search	Behavior Search	
Smart Intrusion Prevention (SIP) by Camera	4-ch(supports channel 1-4; Alarm only, no image)	
<b>General Alarm</b>		
General Alarm	Motion, Tampering, Human Body Detection, Video Loss, Alarm Input	
Alert Alarm	IP Conflict, Network Disconnected, Disk Offline , Disk Abnormal, Illegal Access, Hard Disk Space Low, Hard Disk Full, Recording/Snapshot Abnormal	
<b>External Interface</b>		
Network Interface	1 RJ45 10M/100M self-adaptive Ethernet Interface	
USB Interface	Rear panel: 2 x USB2.0	
RS232	NA	
RS485	NA	
Alarm In	NA	
Alarm Out	NA	
<b>PoE</b>		
Interface	8 RJ45 10M/100M self-adaptive Ethernet Interface	
Max Power	Max 30W for single port Max 75W in total	
Supported Standard	IEEE 802.3at, IEEE 802.3af	

General	
Power Supply	52V DC Power Consumption: ≤9 W (without HDD)
Working Environment	-10°C ~ + 55°C (+14°F ~ +131°F), Humidity ≤ 90% RH (non-condensing)
Dimensions (W×D×H)	270mm × 205mm × 46mm (10.6"×8.1"×1.8")
Weight (without HDD)	≤0.8 kg (1.76 lb)
Certification	
Certification	CE, FCC, UL, RoHS, WEEE
CE	EN 55032: 2015, EN 61000-3-3: 2013, EN IEC 61000-3-2: 2019, EN 55035: 2017
FCC	Part15 Subpart B, ANSI C63.4

## Dimensions



## Rear Panel



### Zhejiang Uniview Technologies Co., Ltd.

Building No.10, Wanlun Science Park, Jiangling Road 88, Binjiang District, Hangzhou, Zhejiang, China

Email: [overseasbusiness@uniview.com](mailto:overseasbusiness@uniview.com); [globalsupport@uniview.com](mailto:globalsupport@uniview.com)

<http://www.uniview.com>

©2020 -2022 Zhejiang Uniview Technologies Co., Ltd. All rights reserved.

\* Product specifications and availability are subject to change without notice.